

WS-3500

Route & Return Wet Seal System

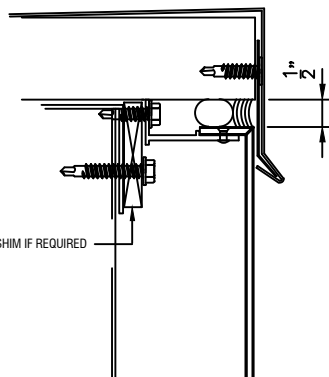


COMPOSITE PANELS INNOVATIONS

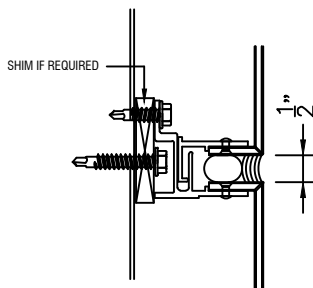
5933 6th Avenue
Altoona, PA 16602

Phone : (814) 201-2240
Mobile : (814) 381-8514
Fax : (814) 201-2737

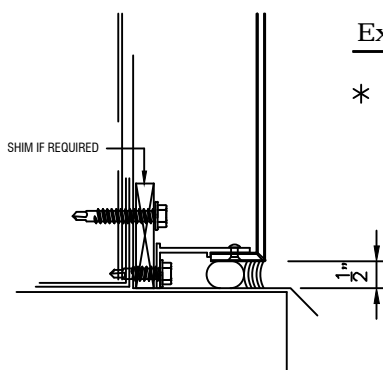
address : cpimetal.com



Parapet



Typ. Panel Joint



Base Termination

Extrusions Used

- * #353 Extrusion

Extrusions Used

- * #351 Extrusion
- * #352 Extrusion

Extrusions Used

- * #353 Extrusion with Drip

Wet Seal WS-3500

CPI's WS-3500 Wet Seal System consists of 4mm or 6mm aluminum composite panel material and incorporates a caulked joint reveal. It can be installed over a variety of substrates in flat, curved or complex shapes. Standard & fire-rated cores are available to meet ASTM E-84. The RS-5000 meets all of the following ASTM & AAMA Tests.

Performance Testing

* ASTM 283-04

Standard test method for determining the rate of air leakage through exterior windows, curtain and doors under specified pressure difference across the specimen.

* ASTM 330-02

Structural performance of exterior windows, doors, skylights and curtainwall by uniform static air pressure difference.

* ASTM 331-00

Standard test method for water infiltration of exterior windows, curtainwall and doors by uniform static air pressure difference.

AAMA 501.01-05

Standard test method for water penetration of exterior windows, curtainwall and doors by dynamic pressure.

* TEST REPORTS AVAILABLE UPON REQUEST