

# GS-2000

Route & Return Gasket System

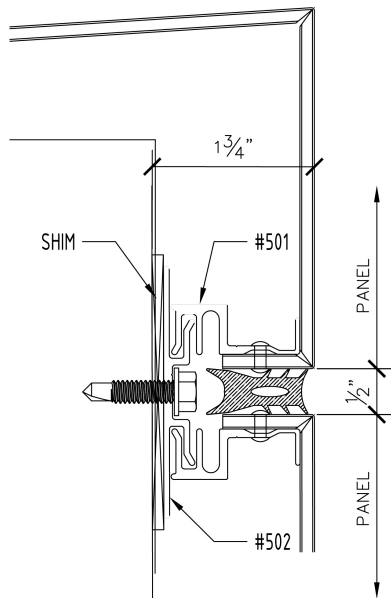


## COMPOSITE PANEL INNOVATIONS

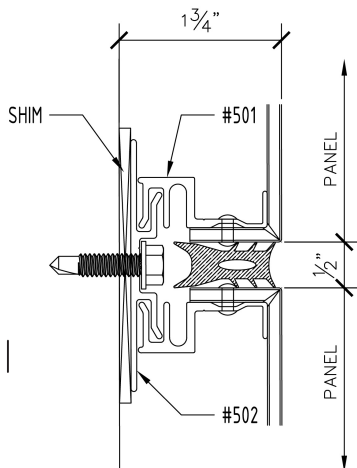
www.cpimetal.com

180 Bilmar Drive - Suite #2  
Pittsburgh, PA 15205  
Phone - (412) 919-0690  
Fax - (412) 919-0689

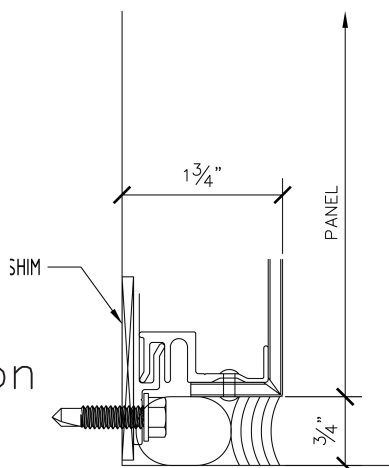
Parapet



Typ. Panel Joint



Base Termination



## Gasketed GS-2000

CPI's GS-2000 Gasketed System consists of 4mm or 6mm aluminum composite panel material and incorporates a gasketed joint reveal. It can be installed over a variety of substrates in flat, curved or complex shapes. Standard & fire-rated cores are available to meet ASTM E-84. The GS-2000 meets all of the following ASTM & AAMA Tests.

## Performance Testing

### \* ASTM 283-04

Standard test method for determining the rate of air leakage through exterior windows, curtain and doors under specified pressure difference across the specimen.

### \* ASTM 330-02

Structural performance of exterior windows, doors, skylights and curtainwall by uniform static air pressure difference.

### \* ASTM 331-00

Standard test method for water infiltration of exterior windows, curtainwall and doors by uniform static air pressure difference.

### \* AAMA 501.01-05

Standard test method for water penetration of exterior windows, curtainwall and doors by dynamic pressure.

\* TEST REPORTS AVAILABLE UPON REQUEST